

MS Multi-Function Ergonomic Symmetric Grip

FEATURES

- Optimum ergonomic design.
- High performance switches.

MECHANICAL SPECIFICATIONS

- Material: thermoplastic
- Colour: black
- Operating temperature range: -25°C / +85°C
- Protection class: IP 65 with plain grip (IP 67 with special assembly on request) IP 54 with dead man trigger option
- Connecting hub: female thread / M14 x 1.5

ELECTRICAL SPECIFICATIONS

- Prewired exit cable: 250 mm

A - Dead man push button

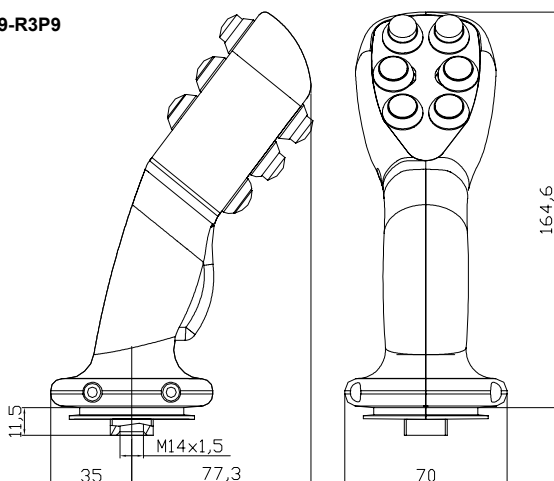
- Rated amperage: up to 3 A inductive
- Protection class (microswitch): IP 67

P9 - Push buttons

- Operational life: > 100.000 cycles
- Rated amperage: up to 5 A resistive up to 3 A inductive
- Protection class: IP 64 (IP 68 available)
- Available colours: red, blue, yellow, black, green, white
- Button and bezel material: thermoplastic
- Contacts: gold plated silver alloy

OVERALL DIMENSIONS

Mod. MS-A6P9-R3P9



CONFIGURATION EXAMPLES

	D-man P/B	Front P/B	Rear P/B
MS/0000/0000	0	0	
MS/A000/0000/0000	yes	0	
MS/A1P9/0000/0000	yes	1xP9	
MS/A2P9/0000/0000	yes	2xP9	
MS/A3P9/0000/0000	yes	3xP9	
MS/A4P9/0000/0000	yes	4xP9	
MS/A5P9/0000/0000	yes	5xP9	
MS/A6P9/0000/0000	yes	6xP9	
MS/A6P9/0000/R1P9	yes	6xP9	1xP9
MS/A6P9/0000/R2P9	yes	6xP9	2xP9
MS/A6P9/0000/R3P9	yes	6xP9	3xP9

>> ORDERING INFORMATION: see page 36