

## C 系列电机液压泵单元

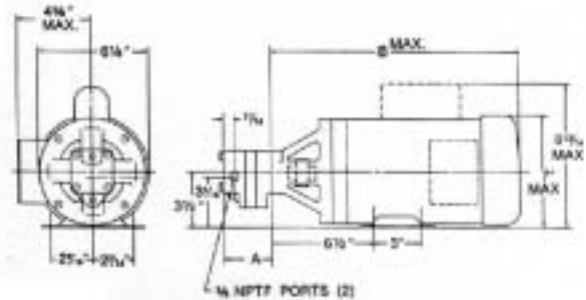
### C1 至 C8 系列电机液压泵单元

所有泵均具备正、反向旋转特性。精确加工的套架保证泵、电机安装的准确对位。

1/2 至 1-1/2 马力电机具备连续载荷、全密封、滚珠轴承、性能极佳的冷却风扇。

标准配置有单相 110V, 220V (1750RPM) 三相 208V, 230V, 460V(1750RPM), 50/60HZ。

表中技术参数是根据连续载荷工作状态测出，若是间断工作状态，压力可容许高达 160%。



Data shown is for continuous duty. For intermittent peaking duty, pressure as high as 150% is attainable.

电机 泵	C1	C2	C4	C6	C8	Ø
<b>C154</b>	00026 gpm	00047 gpm	00061 gpm	00137 gpm	00292 gpm	Ømax.
1/2 h.p. 1725 rpm	.31 gpm	.70 gpm	1.33 gpm	2.32 gpm	3.46 gpm	
1 Phase TEFC	1675 psi	875 psi	470 psi	250 psi	145 psi	14.43
	C1 + C154	C2 + C154	C4 + C154	C6 + C154	C8 + C154	
<b>C354</b>	.31 gpm	.70 gpm	1.33 gpm	2.32 gpm	3.46 gpm	
1/2 h.p. 1725 rpm	1675 psi	875 psi	470 psi	250 psi	145 psi	11.93
3 Phase TEFC	C1 + C354	C2 + C354	C4 + C354	C6 + C354	C8 + C354	
<b>C174</b>	.25 gpm	.65 gpm	1.28 gpm	2.28 gpm	3.44 gpm	
3/4 h.p. 1725 rpm	2000 psi	1400 psi	765 psi	430 psi	250 psi	13.43
1 Phase TEFC	C1 + C174	C2 + C174	C4 + C174	C6 + C174	C8 + C174	
<b>C374</b>	.25 gpm	.65 gpm	1.28 gpm	2.28 gpm	3.44 gpm	
3/4 h.p. 1725 rpm	2000 psi	1400 psi	765 psi	430 psi	250 psi	11.81
3 Phase TEFC	C1 + C374	C2 + C374	C4 + C374	C6 + C374	C8 + C374	
<b>C1104</b>		.58 gpm	1.25 gpm	2.25 gpm	3.40 gpm	
1 h.p. 1725 rpm		1900 psi	1050 psi	610 psi	390 psi	14.43
1 Phase TEFC		C2 + C1104	C4 + C1104	C6 + C1104	C8 + C1104	
<b>C3104</b>		.58 gpm	1.25 gpm	2.25 gpm	3.40 gpm	
1 h.p. 1725 rpm		1900 psi	1050 psi	610 psi	390 psi	13.43
3 Phase TEFC		C2 + C3104	C4 + C3104	C6 + C3104	C8 + C3104	
<b>C1154</b>			1.20 gpm	2.21 gpm	3.36 gpm	
1-1/2 h.p. 1725 rpm			2000 psi	1000 psi	750 psi	15.16
1 Phase TEFC			C4 + C1154	C6 + C1154	C8 + C1154	
<b>C3154</b>			1.20 gpm	2.21 gpm	3.36 gpm	
1-1/2 h.p. 1725 rpm			2000 psi	1000 psi	750 psi	13.43
3 Phase TEFC			C4 + C3154	C6 + C3154	C8 + C3154	
A Gains	2.48	2.57	2.74	3.02	3.54	

